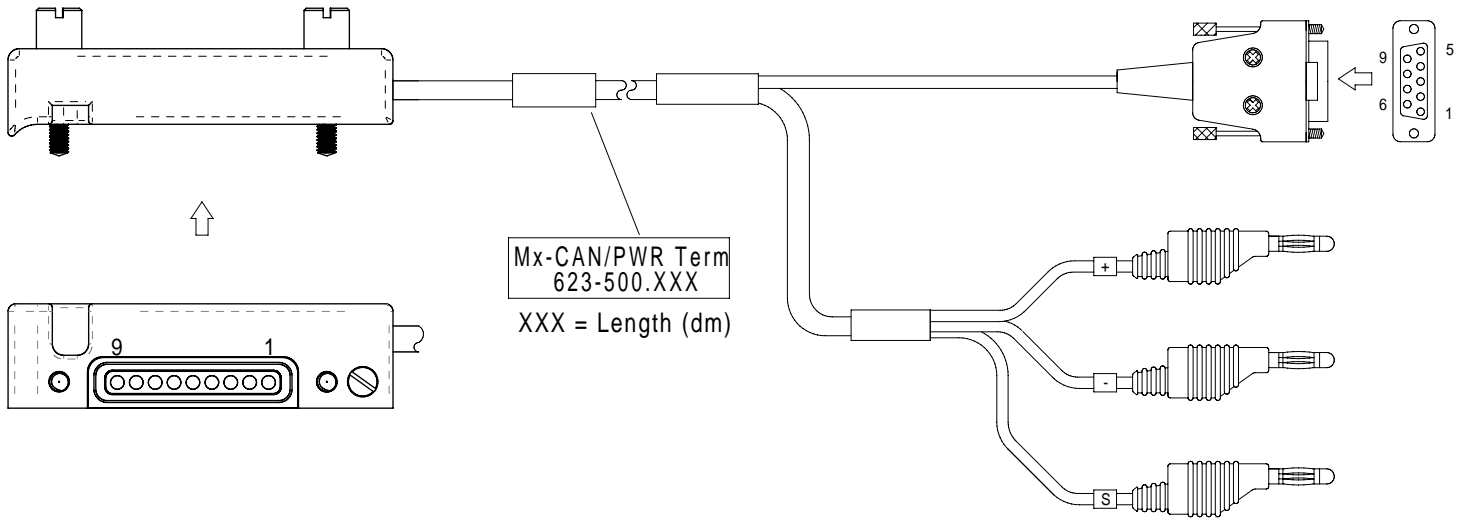


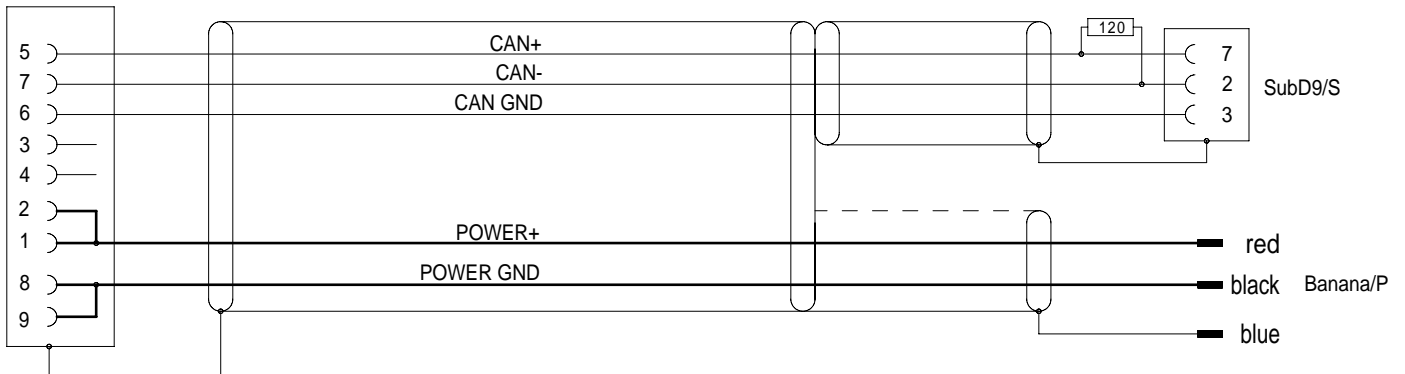
Mx-CAN/PWR Term Kabel SubD9/S, Bündel/P3 Mx-CAN/PWR Term Cable SubD9/S, BANANA/P3

Bestell-Nr. 623-500.005 (0,5m) 623-500.050 (5,0m)
Order-N^o 623-500.015 (1,5m) 623-500.100 (10,0m)
 623-500.030 (3,0m) 623-500.

623-500.



M3 Kabel-Kupplung / S



Contact Type / Kontaktart
P = Pin contacts / Stiftkontakte
S = Socket contacts / Buchsenkontakte